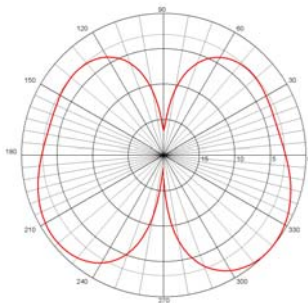




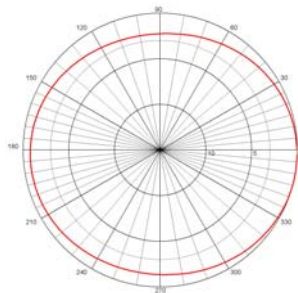
TerraWave Solutions® 802.11n Dual Band 2.4/5 GHz 2.5/4.5 dBi Ceiling Mount MIMO Omnidirectional Antenna with RPSMA Connectors

TerraWave’s new dual band 2.4/5 GHz ceiling mount multiple-input and multiple-output (MIMO) omnidirectional antenna is designed to operate with many manufacturers’ enterprise-class 802.11n MIMO access points (APs). This antenna features three integrated 2.4 GHz omni antennas and three integrated 5 GHz omni antennas in one enclosure, making it an ideal and aesthetically pleasing antenna to support demanding applications in next generation IEEE 802.11n wireless communication systems for indoor applications. Every TerraWave antenna is covered by the Company’s two-year TerraNet warranty program. Visit www.terrawave.com for additional information.

Specifications	
Model	M6025045MO13620
Frequency Range	2400 ~ 2500 / 5100 ~ 5850 MHz
Bandwidth	100 / 750 MHz
Gain	2.5 / 4.5 dBi
Vertical Beamwidth	65° / 50°
Horizontal Beamwidth	360°
VSWR	≤ 1.5 / ≤ 2.5
Nominal Impedance	50 Ohms
Polarization	Vertical
Max Power	50 Watts
Connector	RPSMA Plug
Dimensions	9.5" x 5.5" x 1.4"
Weight	1.6 lbs
Operating Temperature Range	-22°F to +158°F
Mounting Style	Ceiling Tile Clip / Thread Mount

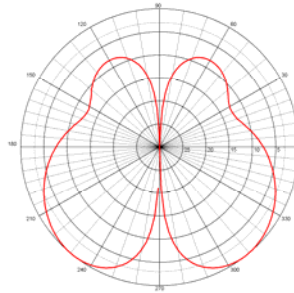


E-Plane Pattern

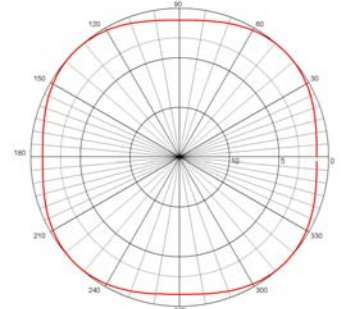


H-Plane Pattern

2.4 GHz



E-Plane Pattern



H-Plane Pattern

5 GHz



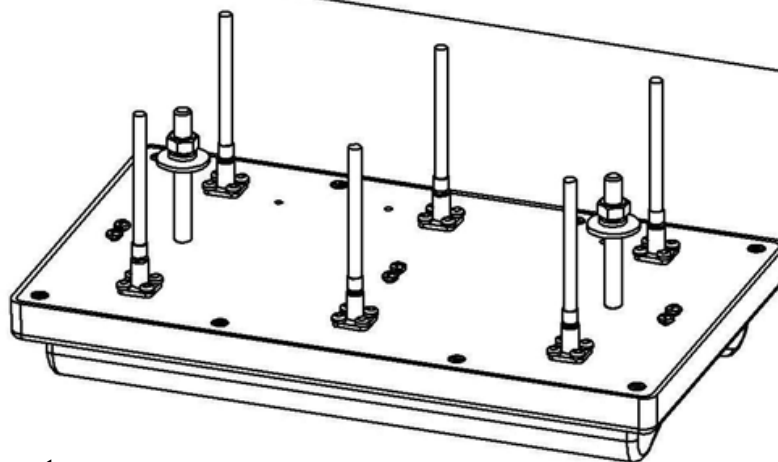
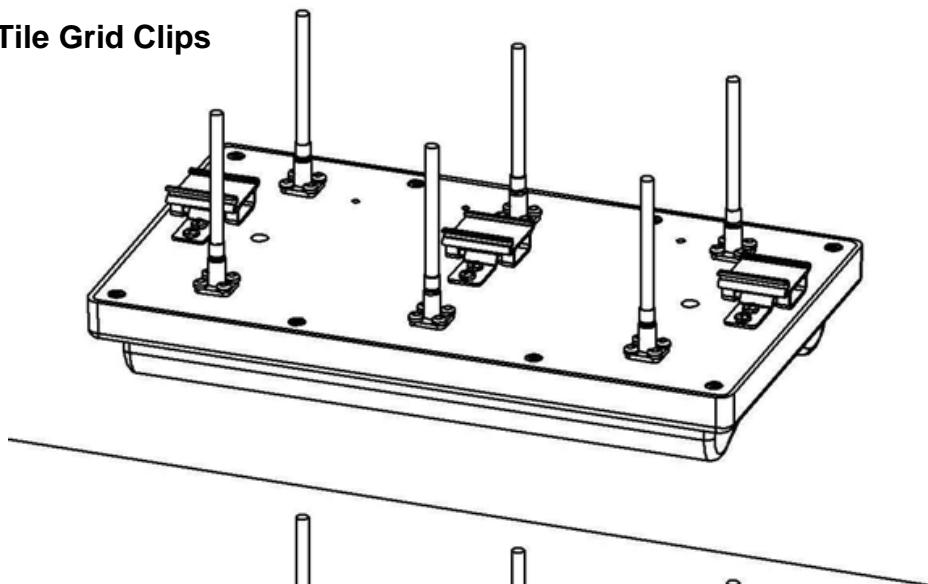
**TerraWave Solutions® 802.11n Dual Band 2.4/5 GHz 2.5/4.5 dBi Ceiling Mount
MIMO Omnidirectional Antenna with RPSMA Connectors**

Mounting Information for M6025045MO13620

Two Mounting Options are Included with Each Antenna

1. **Ceiling Tile Grid Clips:** The antenna may be mounted to the ceiling tile grid with clips.
2. **Screw Mount:** The antenna may be installed to a flat ceiling without grid by pre-cutting holes into the ceiling and inserting the antenna's pigtails into the holes. The antenna is then secured with screw on mounts. (Ceiling tile clips may be removed before installation so the antenna is flush with the flat ceiling surface.)

Ceiling Tile Grid Clips



Screw Mount